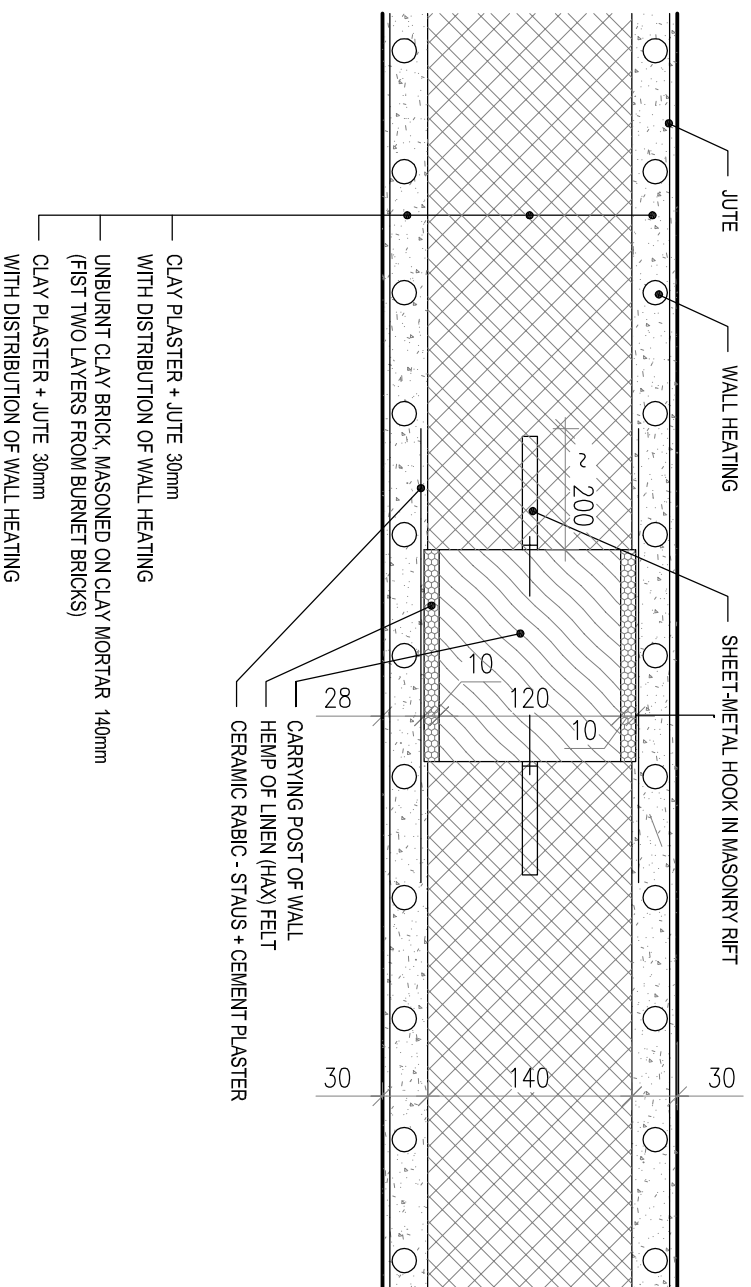


# PARTITION FROM UNBURNT BRICKS WITH WALL HEATING PROTECTION AGAINST EROSION OF PLASTER AT THE POSTS M 1:5



## FRAMED CONSTRUCTION HORIZONTAL SECTION